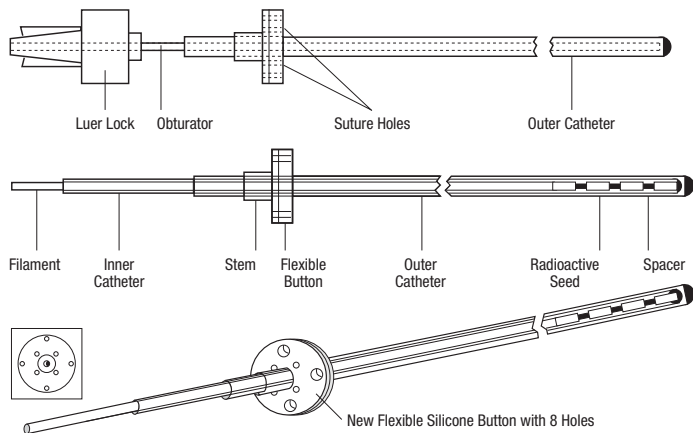


Best[®] medical international

Brachytherapy Kits



healthcare for everyone
TeamBest[®]
Your True Partner

**Best Medical can
provide any standard
or customized
configuration made
to your exact
specifications, sterile
or non-sterile,
shipped within 24
hours — worldwide!**

Contact us:

**Best Medical International
7643 Fullerton Road
Springfield, Virginia 22153 USA**

Tel: 703-451-2378 • 800-336-4970

Fax: 703-451-5228

www.bestmedical.com • www.teambest.com



Mission Statement

Everyone deserves the best health care. Our goal is to work with medical professionals to provide the Best products and services. As a leader in innovative technology, our mission is to uphold our reputation for excellence in the health care field by developing, manufacturing, and delivering cost-effective, high quality products to benefit patients around the world.

Corporate Values

Fulfilling our mission requires a dedicated employee team—one that is committed to uncompromised quality and safety, and fostering a sense of pride in the company.

Best employees will:

- *Honor the dignity and uniqueness of each person, including fellow employees, customers, distributors, and vendors, through their actions, words, and behavior. They will treat others with respect, as they would wish to be treated.*
- *Embrace the spirit of cooperation and teamwork for which Best Medical is known, an environment which supports and recognizes effort and results.*
- *Promote and practice open and honest communication at all times.*
- *Listen to others and remain open to suggestions at all times, as we focus on achieving excellence in our work.*
- *Attract and retain leaders with exceptional abilities and integrity.*
- *Ensure all resources are managed in a responsible and effective manner.*

Best ADVANTAGE

- Best Medical International is the **ONLY** supplier of Iridium-192 and Gold-198 seeds.
- We are the first and only provider of Iridium-192 in nylon ribbons in a wide range of activities.
- We are the first and only company to provide custom service for Gold-198 permanent implants, as well as a wide range of activities.
- We are the first and only company that will call our customers the morning after shipping to inform them of mode of transportation and expected arrival time.
- We can supply Ir-192, Au-198, Pd-103, I-125 and Brachytherapy accessories on a single Purchase Order.
- We ship most materials within 24 hours of receipt of the order.

Catalog 2013 Table of Contents

Interstitial Implant Instrument Set 1

Brachytherapy Kit 2

Sterile Brachytherapy Kits 3

Brain Implant Kit 5



Interstitial Implant Instrument Set

*Part # 1074-0012 (cable dummy ribbon) &
Part # 1074-0013 (nylon dummy ribbon)*

Set Contains:

1	Crile Needle Holder for Crimping Buttons
1	M.G.H. Needle Holder, 10 inch
1	Curved Scissors, 10 inch
1	Special Cutter for Nylon Implant Tubes
10	Implant Needles, 10 cm Long, 17 Gauge
10	Implant Needles, 15 cm Long, 17 Gauge
10	Implant Needles, 20 cm Long, 17 Gauge
10	Implant Needles, 25 cm Long, 17 Gauge
5	Implant Needles, 10 cm Long, 14 Gauge
5	Implant Needles, 15 cm Long, 14 Gauge
5	Implant Needles, 20 cm Long, 14 Gauge
1	Iridium Funnel
30	Nylon Retaining Buttons (Syed)
30	Stainless Steel Retaining Buttons (Henschke)
15	Dummy Ribbons with 12 Seeds Each (specify cable or nylon dummy)
20	Nylon Implant Tubes (double leader)
3	Stylets
1	Quick-charge Sealer

The Best[®] Brachytherapy Kit

Sterile

Consists of:

5	6.0 FR-30 or 5.0 FR-30 cm Afterloading Single Leader Catheters with Filaments and Buttons
5	Radiopaque or Clear Nylon Half Moon Buttons
5	17 Gauge or 16 Gauge 20 cm Implant Needles
5	Obturators
5	Friction Cups
5	Red Caps

The catheter tubes are available in four colors (clear, blue, green or purple) and with either radiopaque or clear nylon buttons.



Sterile Brachytherapy Kits

Most Brachytherapy kits are available in four different colors.

Part #	Description
829	HDR Brachytherapy Kit with Radiopaque Button and 17 Gauge Needles
848	LDR Brachytherapy Kit with Nylon Button and 17 Gauge Needles
856	LDR Brachytherapy Kit with Radiopaque Button and 17 Gauge Needles
862	HDR Brachytherapy Kit with Nylon Button and 17 Gauge Needles
867	HDR Brachytherapy Kit with Radiopaque Button and 16 Gauge Needles
868	LDR Brachytherapy Kit with Nylon Button and 16 Gauge Needles
870	LDR Brachytherapy Kit with Radiopaque Button and 16 Gauge Needles
872	HDR Brachytherapy Kit with Nylon Button and 16 Gauge Needles
876	HDR Brachytherapy Kit without Printing with Radiopaque Button and 17 Gauge Needles
880	LDR Brachytherapy Kit without Printing with Nylon Button and 17 Gauge Needles
884	LDR Brachytherapy Kit without Printing with Radiopaque Button and 17 Gauge Needles
888	HDR Brachytherapy Kit without Printing with Nylon Button and 17 Gauge Needles
890	HDR Brachytherapy Kit without Printing with Radiopaque Button and 16 Gauge Needles
892	LDR Brachytherapy Kit without Printing with Nylon Button and 16 Gauge Needles
894	HDR Brachytherapy Kit without Printing with Nylon Button and 16 Gauge Needles
896	LDR Brachytherapy Kit without Printing with Radiopaque Button and 16 Gauge Needles
1202	Polyacetal Brachytherapy Kit
1283	HDR Brachytherapy Kit with Blind End Catheters
1363	Brachytherapy Kit with Radiopaque Buttons, Catheters without Filament
1366	Brachytherapy Kit with Nylon Buttons, Catheters without Filament
1401	Brachytherapy Kit with Radiopaque Buttons and Markings (catheters without filament)
1404	Brachytherapy Kit with Nylon Buttons and Markings (catheters without filaments)
1421	Polyacetal Brachytherapy Kit, Catheter Leaders with Cable and Nylon Buttons

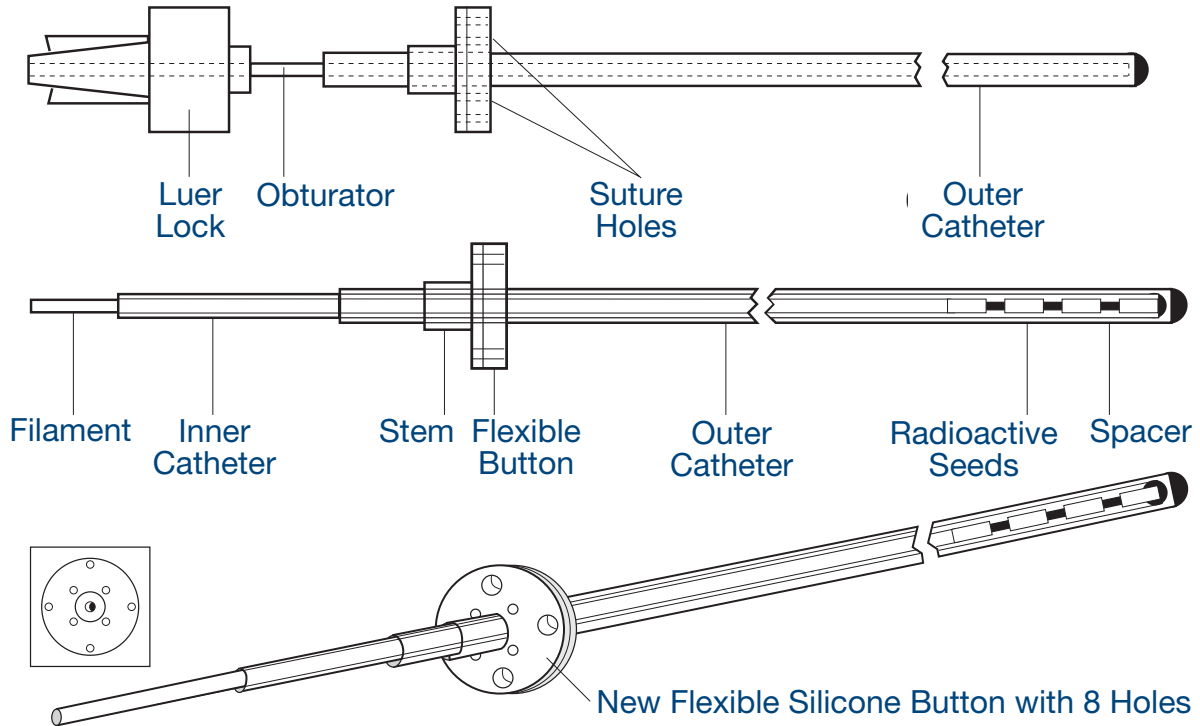
continues on next page

Sterile Brachytherapy Kits (continued)	
<i>Most Brachytherapy kits are available in four different colors.</i>	
Part #	Description
1424	Polyacetal Brachytherapy Kit, Catheter Leaders with Cable and Radiopaque Buttons
1470	13 Gauge Brachytherapy Kit
1480	1.9 mm PA Brachytherapy Kit with Nylon Buttons
1484	1.9 mm PA Brachytherapy Kit with Nylon Buttons and Markings
1487	1.9 mm PA Brachytherapy Kit with Radiopaque Buttons and Markings
1627	HDR Brachytherapy Kit with Blind End Catheters and Nylon Buttons
1630	LDR Blind End Brachytherapy Kit with Nylon Buttons
1632	LDR Blind End Brachytherapy Kit with Radiopaque Buttons
1667	50 cm Brachytherapy Kit with Markings and Nylon Buttons
1702	1.9 mm Polyacetal Brachytherapy Kit with Nylon Buttons and 16 Gauge Needles
1704	1.9 mm Polyacetal Brachytherapy Kit with Radiopaque Buttons and 16 Gauge Needles
1731	Brachytherapy Kit with XX cm Blind End Catheters Radiopaque Buttons

**** please specify length**

Brain Implant Kit

Part # 289-1; Sterile Kit Part # 1502



The Brain Implant Kit consists of an outer catheter made of celcon and an inner catheter made of nylon with a nylon filament. The outer catheter has a standard length of 25 cm (other lengths available) with a special obturator and flexible button, closed smoothly on one end. The O.D. of the outer catheter is approximately 0.080" and the I.D. is 0.057". The inner catheter has a standard length of 26 cm (other lengths available) with O.D. of approximately 0.052" and I.D. of 0.038". It is designed for use with standard Iridium-192 and Iodine-125 sources. The filament can be used as spacers and can be heat sealed. The buttons can be positioned along the outer catheter using the appropriate glue. They have suture holes and the stem can be crimped or heat sealed. Each kit is supplied with 3 buttons: flexible large, flexible small, and stainless steel.

Part #	
300-1	Flexible Button (large)
238-3	Stainless Steel Button
301-1	Flexible Button (small)

This product is for one time use only.

CAUTION: This product should be carefully inspected by your staff prior to clinical use and should be used by authorized personnel only.



Best Medical International, Inc. as author/distributor, believes the technical information and statements contained in this catalog to be reliable and correct at the time of publication. However, Best Medical International, Inc., does not assume any liability for statements, information or recommendations based on/or made in reliance on the information contained in this publication.

Data provided herein are for informational purposes only and are not intended for clinical use of any nature. Use of these data in such a manner is the sole responsibility of the user, and the author/distributor of the information makes no claim or inference as to its clinical suitability and/or accuracy. Best Medical International, Inc. assumes no warranty or liability for use of this information or products. Designs and specifications are subject to modification and/or change(s).

© 2013 Best Medical International, Inc.

Terms and Conditions

Ordering: Orders may be placed with a purchase order number and transmitted by FAX, phone or e-mail.

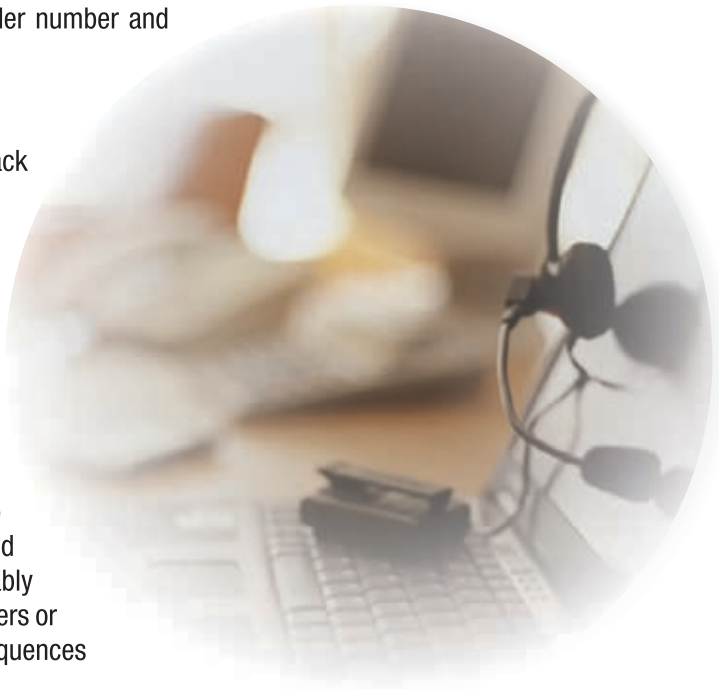
Payment: Within 30 days.

Freight: FOB origin, freight prepaid and charged back through invoice.

Returns: Unused accessories may be returned to Best Medical International, Inc. within 15 days if found unsuitable for a particular application. No return or authorization number is necessary. A note stating the reason for return, name, and address of hospital will expedite processing of any credit.

Note: Best Medical International, Inc. assumes no liability for consequential damages of any kind for the material when used interchangeably with products of other manufacturers/suppliers or for any direct or indirect results and consequences of its use or misuse by the customer.

Best Medical International, Inc., reserves the right to modify the dimensions of accessories/components as well as the prices.



Are you Searching for the Greatest Healthcare Company in the World?

Look to TeamBest®!

World population is increasing by more than 100 million per year. To meet the needs of our aging and growing population, TeamBest® companies are committed to making quality healthcare affordable and accessible globally.

Ready to Serve Globally for All Your Needs

Arplay Medical
Best Cyclotron Systems
Best Medical Africa
Best Medical Asia
Best Medical Canada
Best Medical China
Best Medical Engineering
Best Medical Europe
Best Medical International
Best Medical Latin America
Best Medical Middle East
Best Medical Parts
Best Medical Research
Best Medical Russia
Best NDT
Best NOMOS
Best Particle Therapy
Best Theratronics
Best Vascular (Novoste)
CNMC Company
Genetherapy Pharmaceuticals
Huestis Diagnostics
Huestis Medical
and more...

For more information, visit www.teambest.com

© 2013 Best Medical International, Inc.



Best Medical International, Inc. 7643 Fullerton Road, Springfield, VA 22153 USA
703 451 BEST (2378) 800 336 4970 www.bestmedical.com www.teambest.com

AFRICA | ASIA | EUROPE | LATIN AMERICA | MIDDLE EAST | NORTH AMERICA