

# Best<sup>TM</sup> Theratronics

TEAMBEST GLOBAL



**GammaBeam<sup>TM</sup> External Beam Therapy Systems, Multi-Leaf Collimators, Blood & Research Irradiators...and more!**



Best Theratronics Ltd. 413 March Road, Ottawa, Ontario K2K 0E4 Canada  
tel: 613 591 2100 866 792 8598 [www.theratronics.com](http://www.theratronics.com) [www.teambest.com](http://www.teambest.com)

AFRICA | ASIA | EUROPE | LATIN AMERICA | MIDDLE EAST | NORTH AMERICA

# GammaBeam™ 300 Equinox™ External Beam Therapy System

The GammaBeam™ 300 Equinox™ is an evolution of the Theratron line of treatment devices. The advanced design provides freedom in treatment planning and can interface to all of the major record and verify systems.



- High activity sources  
1.5 or 2 cm diameter
- 390 cGy/min at 80 cm
- 250 cGy/min at 100 cm
- Asymmetric collimators
- Auto Set-Up
- Physical Wedges  
(15, 30, 45 and 60 degrees)
- Motorized Wedge  
(1 to 60 degrees)
- Wedge and Block Code  
Interlock
- Fixed Beam and Arc  
Treatment
- Beam Stopper Option
- Collision Detection
- Service Diagnostics
- On-board Treatment  
Verification
- Ergonomic Hand Control
- In-Room Monitors
- Dual Computer Control  
System
- Graphical Data Entry  
Interface

# Avanza™ Patient Positioning Table & Motorized Equinox™ Multi-Leaf Collimator

The Avanza Patient Positioning Table demonstrates a high level of stability and accuracy for treatment techniques that require precision.

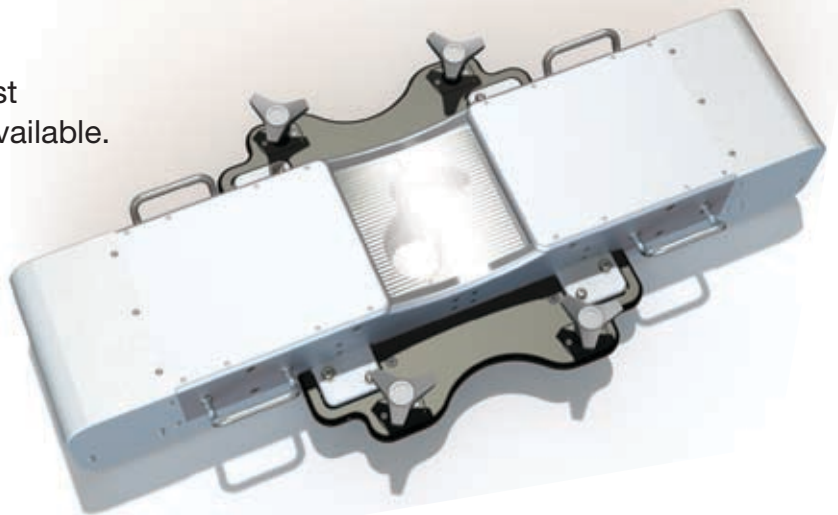
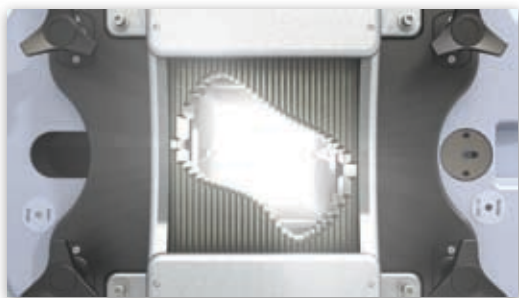


- Accurate and reproducible patient positioning
- Better than 2 mm positioning accuracy
- Efficient and comfortable patient set-up
- Flexible set-up with “zero” position
- Streamlined set-up with free-float and automated motions
- Kevlar mesh reduces surface dose buildup



A Multi-Leaf Collimator is available as an optional accessory for the Equinox product line, providing 3D Conformal Radiation Therapy (3D CRT) and Intensity Modulated Radiation Therapy (IMRT) capability. The intuitive user interface incorporates a patient database, record and verify functionality, and is DICOM-RT compatible for treatment plan imports.

The Equinox MLC 60 system is the most advanced Cobalt Teletherapy system available.

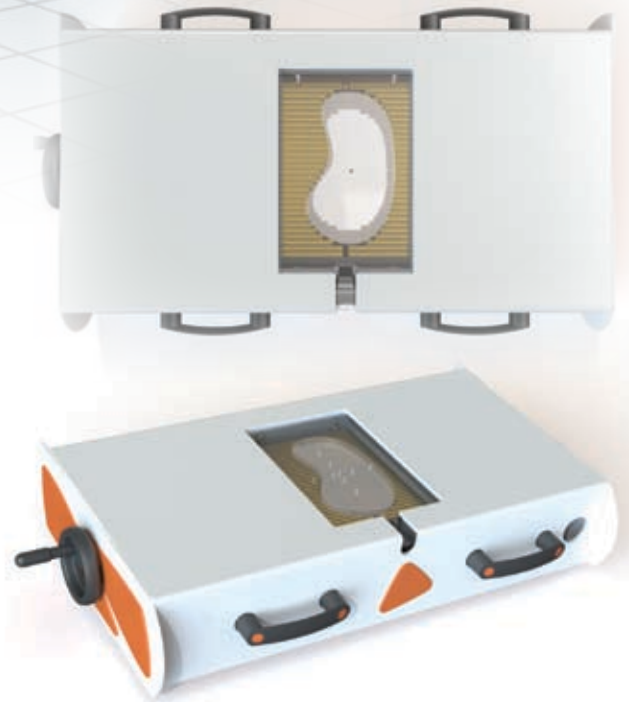


# GammaBeam™ 100-80 Phoenix™ External Beam Therapy System & Manual Multi-Leaf Collimator

The GammaBeam 100-80 is a highly practical model of the GammaBeam family of External Beam Therapy System (EBTS). Convenience and safety, combined with simplicity of design, make it easy to use and easy to maintain. Particularly appropriate for treatment centers requiring extended hours of daily operation and where budgetary considerations are a major concern.



A manually adjustable multi-leaf collimator is now available with the GammaBeam 100-80 product line. The innovative concept of the MMLC system now provides the ability to conform the Cobalt-60 Radiotherapy to the exact tumor shape without the cumbersome use of lead blocks. The method known as 3D CRT, improves the impact on the cancerous tissue while sparing the surrounding healthy tissue. The MLC connects modern treatment methods in radiotherapy with high cost-efficiency and maximum reliability for all environments.



# GammaBeam™ 500 Total Body Irradiator System & Patient Positioning Couch

The Total Body Irradiator GammaBeam 500 is a teletherapy unit designed to produce a large fixed rectangular radiation field at an extended source-to-skin distance in order to deliver total body irradiation. The unit can also be used for research and dosimetry purposes. Features include: dose rate up to 40 cGy/min at 2.5 m in air, record & verify and imaging capabilities, graphical touch screen data entry interface and motorized vertical motion of the head.



- Source position indicators
- Redundant control system monitoring and timing
- Source shutter mechanism
- Operational and inhibit state interlocks
- Fixed and SSD treatment capabilities
- Graphical touch screen user interface
- Motorized vertical motion of the head
- Head swivel (optional)
- DICOM Worklist interface to customer's treatment management system
- Field flatness ( $\pm 5\%$ )
- Back up power to guarantee completion of treatment

The patient couch is an accessory of the GB500, which includes an integrated portal imaging detector option. The imaging sub-system allows position verification of organ attenuators, used during AP/PA total body irradiation treatments.

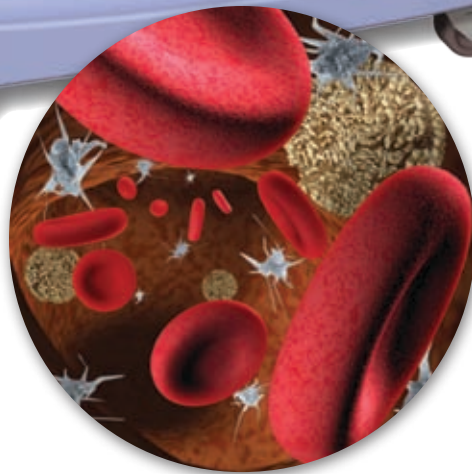


# Raycell® Mk1 X-ray Blood Irradiator

Efficient, convenient and user friendly, the Raycell® Mk1 X-ray Blood Irradiator provides a safe and cost-effective choice for blood irradiation — backed by Best Theratronics' trusted expertise and commitment to quality.



- Self-contained cooling system, no external water required
- Canister volume 1.6 L
- Estimated number of bags per cycle — 3 bags, 300 ml each
- Time for 25 Gy central dose ~5 min
- Time for 25 Gy minimum dose ~6 min
- Barcode reader
- Syringe holder

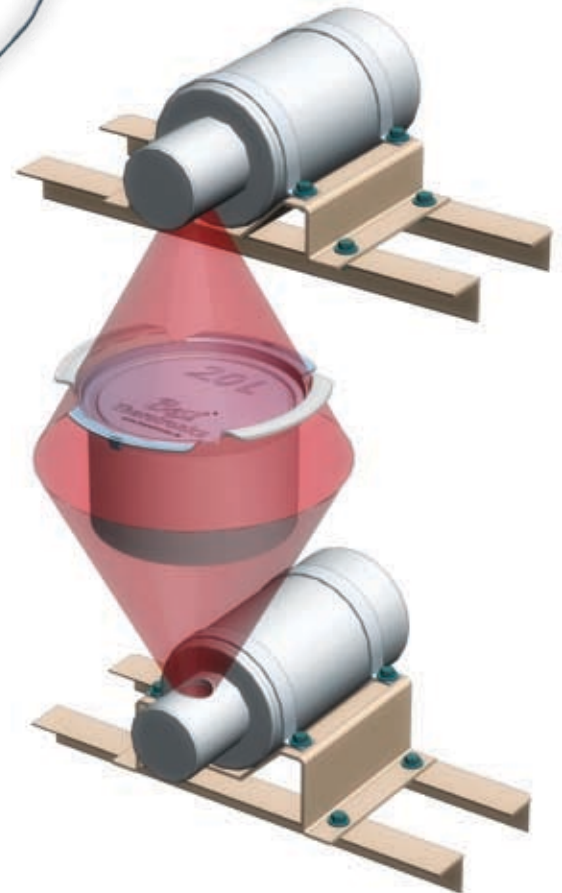
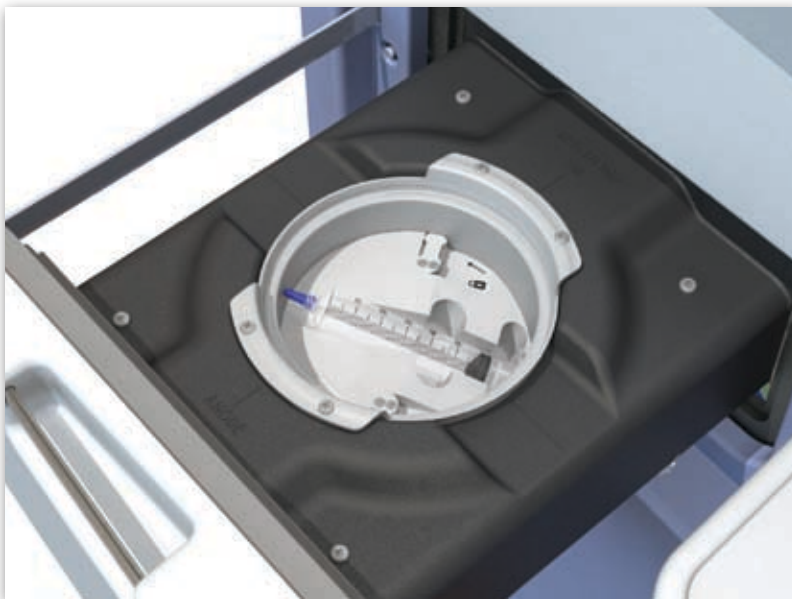


# Raycell® Mk2 X-ray Blood Irradiator

The Raycell Mk2 model features a larger chamber for irradiation of more blood bags (fits 2.0 L or 3.5 L canisters), for those facilities with higher volume needs.



- Excellent dose uniformity
- Fast irradiation times
- Self-contained cooling option
- Barcode reader
- Syringe holder



# Gammacell® 1000 Elite/3000 Elan Blood & Research irradiator

The Gammacell 1000 Elite/3000 Elan have both been refined with the valuable input of clinicians over many years, and are considered the “gold standard” in blood irradiation.



- Multiple source options depending on throughput needs
- Reliable and long-lasting irradiator
- Ideal for low to medium to high throughput locations
- Every cycle is validated
- 4-line display screen
- Barcode reader

